



Indian Institute of Technology Palakkad
भारतीय प्रौद्योगिकी संस्थान पालक्काड

Nurturing Minds For a Better World

NOTICE INVITING TENDER (NIT)

**FURNISHING OF INNOVATION LAB AT AGORA BUILDING
NILA CAMPUS, IIT PALAKKAD**

Tender No. 17/IITPKD/EWD/CIVIL/2021-22/018

Date of Publication: 21-01-2022

Date/Time of Closing: 04-02-2022 1500 hours

Indian Institute of Technology Palakkad (Nila Campus)

Near GramalakshmiMudralayam, Pudussery PO,

Kanjikode West, Palakkad – 678 623

Email: ewd@iitpkd.ac.in

1.1. GENERAL

1.2. Indian Institute of Technology Palakkad (hereinafter called "IITPKD") invites online tenders under Two-Bid System (Technical and Commercial bid) as per the **Annexure-I**.

1.3. The tender document can be accessed from <https://mhrd.euniwizarde.com/>. Last date/time for submission of the bids in **ONLINE mode** is **04-02-2022, 1500 hours**. The bids will be opened through online mode. **The technical bids will be opened first, and the bid will be decided for the satisfying the eligibility criteria as per tender conditions.** Only those who qualify in the technical evaluation will be graduated to the opening of financial bids. In case of any holiday or unforeseen closure of the institute on the scheduled day of opening of the bids, the bids will be opened on the next working day at the same time, but the deadline for submission of bids remains the same as indicated above.

1.4. The bids should be submitted **ONLY** through online mode at <https://mhrd.euniwizarde.com/> latest by **04-02-2022, 1500 hours**. Bids received after the above-mentioned date and time shall not be considered. Conditional bids will be rejected outright.

1.5. The responsibility of submission of the bids on or before the last date shall rest with the tenderer. The institute will hold no responsibility for the non-receipt of the bids or for the bids received after the date/time specified. Any bid received by IITPKD after the bid submission deadline prescribed by IITPKD, shall be rejected, and returned unopened to the Bidder.

1.6. The timeline for the NIT is as mentioned below:

Sl. No.	Events	Date and Time
1	Publication of the Tender Document	21-01-2022
2	Last Date/Time for submission of ONLINE Bids	04-02-2022,1500 hours
3	Opening of Technical Bids	04-02-2022, 1530 hours

1.7. Canvassing or offering of an advantage or any other inducement by any person with a view to influencing acceptance of a bid is an offence under Laws of India. Such action will result in the rejection of the bid, in addition to other punitive measures.

1.8. Each bidder shall submit only one bid, either by himself or as a partner in a joint venture or as a member of a consortium. If a bidder or if any of the partners in a joint venture or any one of the members of the consortium participate in more than one bid, the bids (of both the individual and the partnership/consortium/joint venture) are liable to be rejected.

1.9. The bidder shall bear all costs associated with the preparation and submission of his bid and IITPKD shall in no case be responsible or liable for those costs, regardless of the conduct or outcome of the tender process.

- 1.10. IITPKD will respond to any request for clarification or modification of the Tender Document that is received up to TWO DAYS prior to the deadline for submission of bids prescribed by IITPKD. For this purpose, the prospective bidder(s) requiring clarification in the Tender Document shall notify IITPKD through the ONLINE Portal ONLY. Any such clarification, together with all details on which the clarification had been sought, will be published in the ONLINE Portal ONLY.
- 1.11. Except for any such clarification by the Institute, which is expressly stated to be an addendum to the tender document issued by the **Chairman, EWD, IIT Palakkad**, no written or oral communication, presentation, or explanation by any other employee of any of the Sections/Departments of the Institute, shall be taken to bind or fetter the Institute.

2. AMENDMENTS IN THE TENDER DOCUMENT

- 2.1. At any time prior to the deadline for submission of bids, IITPKD may, for any reason, whether at its own initiative or in response to a clarification requested by a prospective Bidder, modify the Tender Document by way of amendment(s).
- 2.2. Amendments will be intimated through the e-wizard Portal and the bidders shall ensure that the amendments are carried out in the bid before submission. The amendments will not be published in newspapers. Bidders should regularly visit e-wizard Portal to keep themselves updated.
- 2.3. No extension in the bid due date/ time shall be considered on account of delay in receipt of any document by mail. Further, it will be assumed that the Bidder has taken into account such amendments, while submitting the bid.

3. COMPOSITION OF THE TENDER DOCUMENT (TECHNICAL BID)

- 3.1. The Tender Document comprises of:
 - (a) Technical Specifications Drawing / layout (Annexure-I)
 - (b) Pre-qualification Criteria (Annexure-II)
 - (c) Techno-Commercial Parameters (Annexure-III)
 - (d) Schedule of Quantity (Annexure-IV)
 - (e) Compliance Statement (Annexure-V)
 - (f) Format of Performance Security (Annexure-VI)
 - (g) Declaration (Annexure-VII)
 - (h) Fall Clause Notice Certificate (Annexure-VIII)
 - (i) Bid Security Declaration form (Annexure – IX)
 - (j) Self Declaration for make in India products (Annexure-X)

- 3.2. The bidder is expected to examine all instructions, forms, terms, and conditions in the Tender Document. In the event of discovery of any missing pages, the bidder shall inform the same to the Section/ Department concerned. Failure to furnish the information required by the Tender Document or submission of a tender not substantially responsive to the Tender Document in every respect will be at the bidder's risk and may result in rejection of the bid.
- 3.3. The bidder shall not make or cause to be made any alteration, erasure, or obliteration to the text of the Tender Document.

4. LANGUAGE/FORMAT/SIGNING OF THE BID

- 4.1. The bid prepared by the Bidder and all correspondence and documents related to the tender exchanged by the Bidder and IITPKD shall be in English, and the Contract shall be construed and interpreted in accordance with that language. If any of the brochures, leaflets or communication is prepared in any language other than English, a translation of such document, correspondence or communication shall also be provided at the cost and risk of the bidder. The translation so provided shall prevail in matters of interpretation. The bidder, with respect to such documents, correspondence, and communications, shall bear the costs and risks of such translation.
- 4.2. The documents comprising the bid shall be typed or written in indelible ink and all the pages shall be signed by the bidder or a person or persons authorized by the bidder. All the pages of the bid shall be numbered and except for unamendable printed, shall be signed by the person or persons authorized and uploaded.
- 4.3. The bid shall not contain any internalizations, erasures, overwriting, except to correct errors made by the bidder, in which case the person or persons signing the bid shall initial such corrections with date.

5. DOCUMENTS COMPRISING THE BID

- 5.1. The Technical and the Commercial Bids shall be submitted ONLINE through the portal mentioned as Cover One and Cover Two.
- 5.2. Bids submitted in any mode other than ONLINE will be rejected outright.
- 5.3. (a) The bidder shall furnish, as part of the technical bid, Bid Security Declaration Form as per the Annexure.
(b) Bids not accompanied by Bid Security Declaration Form shall be DISQUALIFIED.
- 5.4. Documents establishing conformity of the terms and conditions of the Tender Document shall be provided along with the bid. The offer/bids should be sent only for a system or item that is available in the market and supplied to a number of customers. A list of customers in India and abroad with details must accompany the quotations. Quotations for a prototype machine will not be accepted.

- 5.5. Original Catalogue (not any photocopy) of the quoted model duly signed by the principals must accompany the quotation in the technical bid. No prices should be entered in the technical bid.**
- 5.6. Compliance or Confirmation report with reference to the specifications and other terms and conditions should also be obtained from the principal.
- 5.7. Information related to the agency/bidder such as photocopies of the Registration/ PAN/ GST/ TIN shall be furnished.
- 5.8. The technical bid should consist of all technical details along with commercial terms and conditions. No prices should be entered in the technical bid. Mentioning of Prices in the Technical Bid shall lead to disqualification.
- 5.9. Digitally signed tender documents should be submitted in Cover One.
- 5.10. If the item is to be moved from its location within the period of warranty, then the Contractor must provide disassembling and reassembling services free of cost**

6. BID PRICES

- 6.1. Prices must be quoted separately for each item identified.

7. BID CURRENCY

Prices of indigenous items shall be quoted in Indian Rupees.

8. CONFORMITY OF THE TENDER DOCUMENT

The Bidder shall furnish, in terms of Technical Specifications are given in the Tender document.

9. PERIOD OF VALIDITY OF BIDS

Bids shall remain valid for a period of 180 days after the date of deadline for submission of bids prescribed by the Institute.

10. MODIFICATION AND WITHDRAWAL OF BIDS

- 10.1. The Bidder may modify or withdraw the bid after submission only through ONLINE mode, within the period of deadline for submission of bids.
- 10.2. No bids can be modified after the deadline for submission of Bids.
- 10.3. No bids can be withdrawn in the interval between the bid submission deadline and the expiration of the bid validity period. Withdrawal of a bid during this interval may result in the forfeiture of the Bidder's SD.

11. OPENING AND EXAMINATION OF BIDS

- 11.1. The Technical bids will be opened on the prescribed date and time as mentioned in the Bid document in ONLINE mode.
- 11.2. The Institute will evaluate the technical bids. Those bids, whose technical bids fulfil the technical requirements and responsive to the tender requirements will be considered. Those bids which are found to be either non-responsive, not satisfying the technical requirements or both will not be considered and will be rejected.
- 11.3. The Price bids of the successful bidders based on evaluation as mentioned in will be considered for the next stage for opening.
- 11.4. The Institute will examine the bids to determine whether they are complete, whether any computational errors have been made, whether required security has been furnished, whether the documents have been properly signed and whether the bids are generally in order.
- 11.5. Arithmetical errors will be rectified on the following basis. If there is a discrepancy between the unit price and the total price, which is obtained by multiplying the unit price and quantity, or between subtotals and the total price, the unit or subtotal price shall prevail and the total price shall be corrected. If there is a discrepancy between words and figures, the amount in words shall prevail. If a Bidder does not accept the correction of errors, the bid will be rejected, and its Security Deposit may be forfeited.
- 11.6. The Institute may waive any minor non-conformity or irregularity in a bid that does not constitute a material deviation, provided such waiver does not prejudice or affect the relative ranking of any Bidder.
- 11.7. Prior to the detailed evaluation, the Institute will determine whether each bid is complete and is substantially responsive to the Tender Document. For purposes of this determination, a substantially responsive bid is one that conforms to all the terms, conditions, and specifications of the Tender Document without material deviations, exceptions, objections, conditionality or reservations. A material deviation, exception, objection, conditionality, or reservation is:
 - (a) One that limits in any substantial way the scope, quality, or performance of the work.

OR

 - (b) One that limits, in any substantial way that is inconsistent with the Tender Document, the Institute rights or the successful Bidder's obligations under the Contract: and
 - (c) One that the acceptance of which would unfairly affect the competitive position of other Bidders who have submitted substantially responsive bids.
- 11.8. If a bid is not substantially responsive, it shall be rejected by the Institute and may not subsequently be made responsive by the Bidder by correction of the non-conformity.
- 11.9. The Institute determination of bid responsiveness will be based on the contents of the bid itself and any written clarifications submitted by the Bidder.

12. CLARIFICATION OF BIDS

During the bid evaluation, the Institute may, at its discretion, ask the Bidder for a clarification of its bid. The request for clarification and the response shall be through ONLINE mode ONLY and no change in the price or substance of the bid shall be sought, offered, or permitted.

13. EVALUATION OF RESPONSIVE BIDS

The Institute will evaluate the bids that have been determined to be substantially responsive.

14. CONTACTING IITPKD

- 14.1. From the time of bid opening to the time of Contract award, if any Bidder wishes to contact the Institute on any matter related to the bid, it shall do so through ONLINE mode ONLY.
- 14.2. If a Bidder tries to directly influence IITPKD or otherwise interfere in the bid evaluation process and the Contract award decision, his bid shall be rejected.

15. AWARD CRITERIA

- 15.1. IITPKD will award the Contract to the Bidder, whose bid has been determined to be substantially responsive and evaluated as the lowest quote.
16. The bidder should be a Class-I / Class-II Local Supplier meeting the requirement as per the Order No. P-45021/2/2017-PP (BE-II) issued by the Public Procurement Section, DPIIT, Ministry of Commerce and Industry, GOI dated 16-09-2020. Bidders other than Class-I / Class-II Local Suppliers, who may participate in this tender, may be doing so at their own risk. Such bids would not be considered and rejected outright

17. IITPKD RIGHT TO ACCEPT/REJECT BIDS

- 17.1. IITPKD reserves the right to accept or reject any bid or to annul the bidding process and reject all bids at any time prior to Contract award, without thereby incurring any liability to the Bidders.
- 17.2. IITPKD reserves the right to negotiate with the Bidder, whose bid has been evaluated as the lowest quote.

18. AWARD OF WORK ORDER

- 18.1. Prior to the expiration of the period of bid validity, IITPKD will issue the Letter of Intent / Work Order to the successful Bidder in writing.
- 18.2. The Work Order will form the part of the Contract.
- 18.3. **The Institute reserves the right to buy different items/quantities from different bidders considering price of individual/group of items or any other factors as decided by the Institute.**

19. CONTRACT AGREEMENT

- 19.1. Within **SEVEN (07) DAYS** of receipt of the Work Order, the successful Bidder shall sign and date its copy on each page and return it to the contractor
- 19.2. Copy of Work Order duly signed and dated by the successful Bidder on each page shall constitute the Contract Agreement.

20. PERFORMANCE SECURITY

- 20.1. The performance security shall be submitted within **TEN (10) DAYS** of receipt of the material by the contractor. The successful bidder shall furnish the **Performance Security equal to 3%** of the order / contract value (excluding the value of annual maintenance charges). The Performance Security shall be valid all along the warranty Period and shall extend up to SIXTY (60) DAYS after the date of completion of warranty period.
- 20.2. The performance security shall be a bank guarantee (in the format as provided in **Annexure-VI** of the bidding documents) issued by the Indian Scheduled bank acceptable to the Contractor or a Demand Draft favoring, **INDIAN INSTITUTE OF TECHNOLOGY PALAKKAD** payable at PALAKKAD.
- 20.3. In case the successful bidder is a foreign company and wishes to submit Performance Security in the form of Bank Guarantee, the Bank Guarantee should be routed through the Beneficiary Bank to the end user bank. Otherwise, the Indian Agent of the foreign vendor shall submit a Bank Guarantee from a Nationalized Bank of India. The following documents shall be submitted in case of an Indian agent submitting the Performance Security on behalf of his principal:
 - 20.3.1. Foreign principal's proforma invoice indicating the commission payable to the Indian agent and nature of after-sales service to be rendered by the Indian agent.
 - 20.3.2. Copy of the agency agreement with the foreign principal and the precise relationship between them and their mutual interest in the business.
- 20.4. The performance security shall automatically become null and void once all the obligations of the Contractor under the Contract have been fulfilled, including, but not limited to, any obligations during the Warranty Period and any extensions to the period. The performance security shall be returned to the Contractor not later than **fifteen (15) days** after its expiration.
- 20.5. Failure of the successful Bidder to comply with the requirements shall constitute enough grounds for the annulment of the award and forfeiture of the EMD, in which event the contractor may make the award to the next lowest evaluated bid submitted by a qualified Bidder or call for new bids.

21. CONTRACT DOCUMENTS

- 21.1. All documents forming part of the Contract (and all parts of these documents) are intended to

be correlative, complementary and mutually explanatory. The Contract shall be read as a whole.

21.2. The order of precedence of the Contract documents shall be as follows:

- (i) Contract Agreement/Work Order
- (i) All Forms/Annexures
- (ii) Contractor's Bid
- (iii) Tender Document

22. AMENDMENT TO CONTRACT

22.1. No amendment or other variation of the Contract shall be effective unless it is in writing, is dated, expressly refers to the Contract and is signed by a duly authorized representative of each party to the Contract.

23. CONTRACTOR RESPONSIBILITIES

23.1. The Contractor's obligations involve:

- (a) Scope of work as per the specifications given in Tender Document in Annexure I, Annexure II as per drawing.
- (b) Making the furniture operational (installation, commissioning and validation)
- (c) Bidders advised to contact the Engineer In charge incase of any discrepancy/ doubts in the drawings and query. Claiming on the assumptions of their work will not be entertained or appreciated by the institute.
- (d) Institute and their representative will have a site visit at the manufacturing factories at the time of execution of the works to ensure the specifications of items as mentioned in the tender. In case the materials reached at site will not satisfy the material specification as mentioned in the tender document Institute will reject the materials. The agency has to take the entire responsibility to re deliver the quality materials as mentioned in the Tender document.
- (e) The Contractor shall, unless specifically excluded in the Contract, perform all such work and/or to do work all such items, services and materials not specifically mentioned in the Contract but that can be reasonably inferred from the Contract as being required as if such work and/or items and materials were expressly mentioned in the Contract.

23.2. The Contractor shall comply with all laws in force in India. The laws will include all national, provincial, municipal, or other laws that affect the performance of the Contract and are binding upon the Contractor. The Contractor shall indemnify and hold harmless the Contractor from and against all liabilities, damages, claims, fines, penalties, and expenses of whatever nature, arising or resulting from the violation of such laws by the Contractor.

24. TIME FOR COMPLETION OF WORK

24.1. The Contractor shall complete the work within the period specified in the tender document i.e.,

within 45 days issuance of the Work order or within the period mutually agreed between Institute and contractor.

- 24.2. The tenderer should indicate clearly the time required for completion of work. In case there is any deviation in the work schedule, liquidated damages clause will be enforced or penalty for the delay of work period will be levied.
- 24.3. In the event of failure of work within the stipulated delivery schedule, the Purchaser has all the right to do the work from other sources on the total risk of the contractor under the risk purchase clause.

25. TERMS OF PAYMENT

- 25.1. No Advance payment will be made.100% payment after supply, installation and completion of work and certification by the Competent Authorities of the Institute.
- 25.2. If any time before the delivery of the items, it is found that the same item had been offered to another party in India at a lower rate, payment shall be restricted to the extent of such lower rate and the Contractor shall be liable to pay the contractor the difference in two rates i.e., excess charged over such lower rate, if payment had been made by the contractor. The contractor will look into a reasonable past period to ensure this.
- 26. Work completion certificate with measurement sheet in Original is essential for making the final payment/part payment.

27. TAXES AND DUTIES

- 27.1. The **Contractor** should ensure payment of all taxes, duties, levies, and charges assessed by all municipal, state, or national government authorities, in connection with the Goods and Services supplied under the Contract.

28. PENALTIES

- 28.1. If the contractor fails to complete any of the activities in accordance with the time specified for it, or any extension of the time granted by the contractor, the Contractor shall pay to the contractor, penalties at the rate specified in the Tender document.
- 28.2. The Institute reserves the right to terminate the contract if the contractor defaults on any of the time limits by more than FOUR weeks.
- 28.3. **Liquidated Damages:** If a firm accepts an order and fails to execute the order, in full or part, as

per terms and conditions, stipulated therein, it will be open to the Institute **to recover liquidated damages from the firm at the rate of 1% of the value of the undelivered goods per month or part thereof, subject to a maximum of 5% of the value of the undelivered goods. It will also be open to the Institute alternatively, to arrange procurement of the required stores from any source, at the risk and expense of the firm, accepted and failed to execute the order according to stipulations agreed upon. This will also entail removal of the defaulters' name from the approved/registered list of contractors.**

29. EXTENSION OF TIME LIMITS

29.1. The time limit for work shall be extended if the work is delayed or impeded in the performance of any of its obligations under the Contract due to justified reasons and not otherwise. Such a time limit shall be fair and reasonable under all the circumstances and shall fairly reflect the delay or impediment sustained by the contractor.

30. GOVERNING LAW

30.1. The Contract shall be governed by and interpreted in accordance with the laws of India.

31. SETTLEMENT OF DISPUTES

31.1. Any dispute or claim arising out of/relating to this Contract of the breach, termination, or the invalidity thereof, shall be settled by the Honorable Courts of Justice at Palakkad, Kerala.

31. The page number should be marked in all pages serially (including all supporting documents enclosed with the tender document) and the declaration for the same shall be submitted by the bidder as in **Annexure-VII**.

32. IITPKD reserves the right to accept or reject any or all the bids in part or whole or may cancel the tender at its sole discretion without assigning any reason whatsoever. No further correspondence in this regard will be entertained.

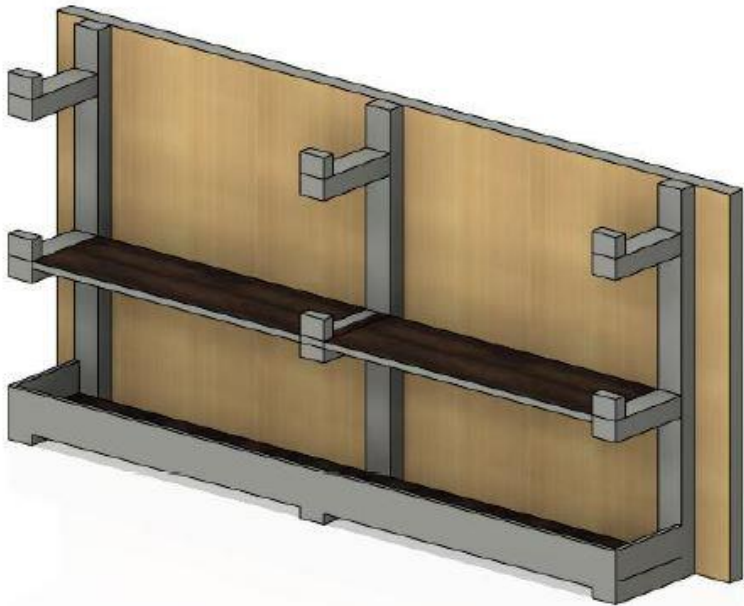
CHAIRMAN, EWD

ANNEXURE-I

BILL OF QUANTITY

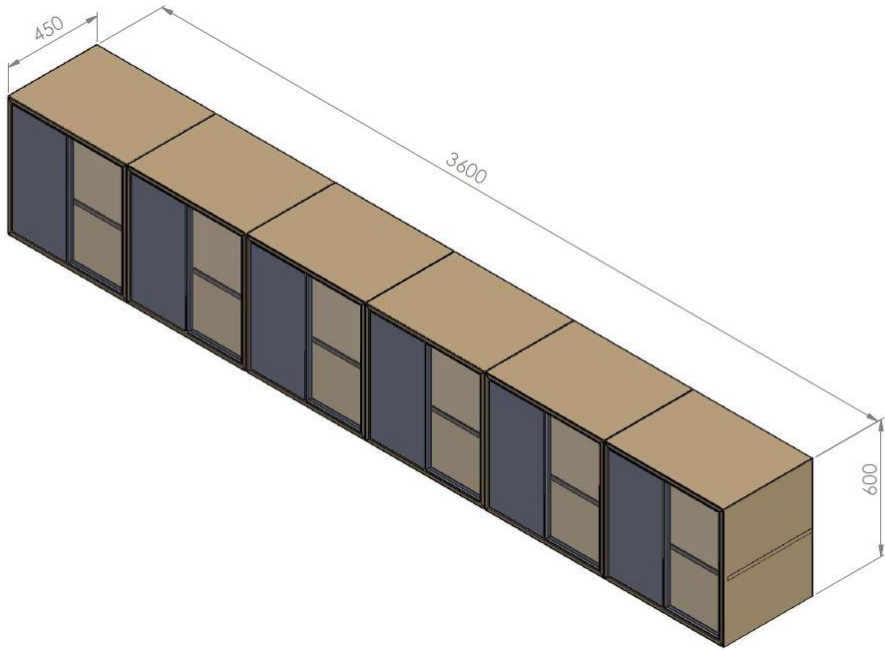
NAME OF WORK: FURNISHING OF INNOVATION LAB AT AGORA BUILDING,
NILA CAMPUS.

(TO BE SUBMITTED ONLY THROUGH ONLINE MODE IN APPROPRIATE FORMAT)

Name of Work: Furnishing of Innovation lab at agora building, Nila Campus			
SI No	Description of items	Quantity	Unit
1	<p>Providing and fixing Cupboard for storing the pipes as shown in fig. of size 4000 mm x 1800 x 500. The cupboard consists of marine plywood of 12 mm thick confirming to IS code 710: 1976 with oil putty paint and 50 x50 x16 gauge MS tube with powder coating for legs and for tray with 50x 20 x 16 gauge MS tube with powder coating. Agency should provide the as-built drawing before execution of work and get it approved by the Engineer-in-Charge before executing the work.Colour and shade as per the direction by Engineer-in-Charge.</p> 	1	Each

Supply and installation of overhead wall storage cabinets. **Color-Coffee brown and white.** Wall storage units shall be Front open type cupboard with horizontal partition. Unit to be fixed on the wall through eye-let holes. The construction should be the same as the under-wall bench cabinets. Load carrying capacity-60kg per cabinet. Material- 20gauge G.I. electro galvanised sheets finished in powder coated with minimum 60 to 80 micron high chemical resistant epoxy powder coating. The shutters should be Metal frames with inserted glass should be provided with stainless steel handles with powder-coated finish and branded locking arrangements. All cabinets should have a magnetic label to show details about its content.

2



2.1	600mm Lx450 mmx 600mmH	6	Each
-----	------------------------	---	------

Providing and fixing the Cupboard for storing the wooden sheets as shown in figure of 3000 x1000 x1500mm. The cupboard consists of marine plywood of 12 and 16 mm thick confirming to IS code 710: 1976 with veneering and the cupboard should have the heavy duty industrial roller wheel. Agency should provide the as-built drawing before execution of work and get it approved by the Engineer-in-Charge before executing the work.Colour and shade as per the direction by Engineer-in-Charge.



3

1

LS

Steel Almirah for Students Use- It should have 4 adjustable shelves made of 0.8 mm thick CRCA steel sheet with stiffener. Steel sheet shall be oven baked epoxy polyester powder coated with 40-50 dry film thickness. It should have multi bend construction with interlocking design and full length overlapping doors and sides. It should have a three way bolting mechanism. The two doors should have hinges mounted on the frame. Overall size :915 (W) x 485 (D) x 1980 (H) mm including leg height of ~120mm. Materials:The CRCA steel sheet used for the body should be 0.9 mm thick as per IS-513 1994. Doors:The doors

4

5

Each

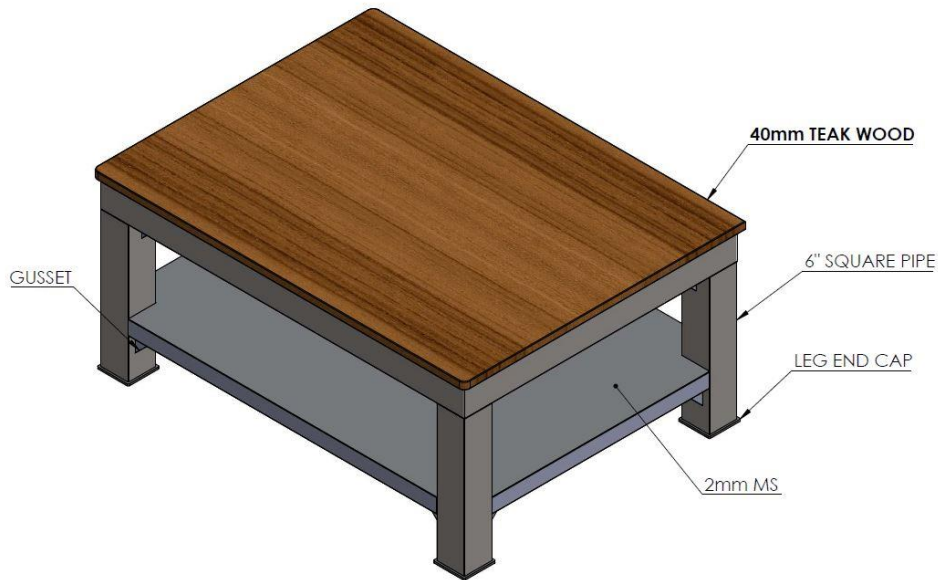
have one handle and lever locking mechanism with 6- Six lever Mazak Zinc



Plated Lock.

Work Table of size 2000 mm x1500 mm x900 mm. Made up of 40 mm thick teak wood top and bottom steel storage of 2 mm MS sheet and 150 mm square pipe legs and necessary fittings as attached in the below figure. Agency should provide the as-built drawing before execution of work and get it approved by the Engineer-in-Charge before executing the work. Colour and shade as per the direction by Engineer-in-Charge.

5



1

each

Work table with storage unit -Providing and fixing Table with 18 mm treated rubber wood laid over C frame of size 60 x 40 mm including and horizon-tal frame 60x40 mm tying with C frame backing tray made of GI sheet for supporting storage unit all made of 20 gauge electro galvanized sheet with epoxy polyester powder coating 80-100 micron. Providing and fixing steel Storage Unit manufac-tured with 20 gauge electro galvanized sheet with epoxy polyester powder coating with top drawer and bottom cupboard with door and locking ar-rangement.

7



Storage will be along the length of the table with multiple compartments and drawer.

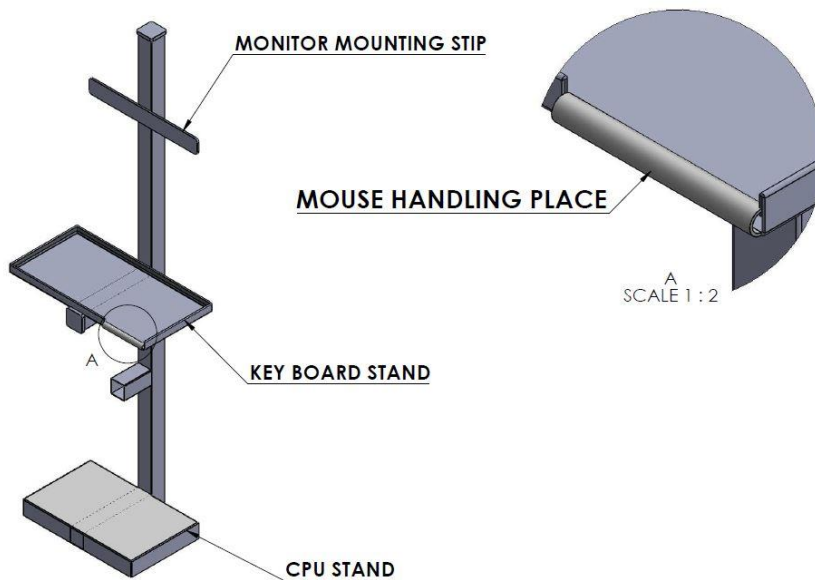
7.1 Size:3000 mm x 900 mm x900 mm Height

1

each

Providing and fixing Computer Mount for CNC Router and CNC Laser cutter self standing and mounted on floor. The stand is made up of powder coated MS Tube and sheet as shown in figure. Agency should provide the as-built drawing before execution of work and get it approved by the Engineer-in-Charge before executing the work.Colour and shade as per the direction by Engineer-in-Charge.

8




1

nos

9	<p>Staff table -Providing and fixing table of size 1100(L) mm x 750 mm(W) x 750 mm (H) with HDF/MDF board conforming IS 3478:1966 marked, with one side decorative and other side balancing lamination Grade I, Type II exterior grade IS : 12823 marked, consist of</p> <p>a) 18 mm thick MDF board for leg, modesty and 3 drawers on one side (2 drawer of size : 350 mm x 450 mm x 150 mm ,1 drawer of size 350mm x450 mm x 450 mm). total 3 drawer per table</p> <p>b) 25 mm thick HDF board for table top with long edges post formed and PVC banding for short edges.</p> <p>c) Three pairs of drawer slides(1 pair for each drawer), 3 nos of Concealed handle 100 mm(for each drawer).</p>	3	each
10	<p>Executive staff Table -Providing and fixing L shaped table of size 1550 mm x 750 mm 900mm x 450mm with HDF board conforming IS 3478:1966 marked, with one side decorative and other side balancing lamination Grade I, Type II exterior grade IS : 12823 marked, consist of</p> <p>a) 18 mm thick HDF board conforming IS 3478:1966 marked for leg, modesty and 3 drawers (2 drawer of size : 350 mm x 450 mm x 150 mm ,1 drawer of size 350mm x450 mm x 450 mm). total 3 drawer per table</p> <p>b) 25 mm thick HDF board conforming IS 3478:1966 marked for table top with long edges post formed and PVC banding for short edges.</p> <p>c) Three pairs of drawer slides(1 pair for each drawer), 3 nos of Concealed handle 100 mm(for each drawer).</p> <p>d)Supplying of Storage Unit of height 750 mm shall be made up of 18mm thick HDF board conforming IS 3478:1966 marked (ISI MARK) for outer carcasse & with 25mm top panel and 18 mm thick for openable shutters with auto close hinges .The two inside shelves shall be of 25mm thick arranged as three compartments.Dimension- 750 mm(H)X1100mm(W)X 400mm(D). All complete as approved by the Engineer- in- charge.</p>	1	each
11	<p>Supplying of Storage Unit of height 1200 mm shall be made up of 18mm thick HDF board (ISI MARK) for outer carcasse & with 25mm top panel and 18 mm thick for openable shutters with auto close hinges .The two inside shelves shall be of 25mm thick arranged as three compartments.Dimension- 1200 mm(H)X1500mm(L)X 400mm(D). All complete as approved by the Engineer- in- charge.</p>	1	each
12	<p>Supply of visitor chairs of over all size:118cm high ,58cm width. Preferred makes are Fetaherlite,Transteeel and wipro</p>	6	no

13	Executive Chairs- Supply of high back mesh chairs of overall size 124cm High , 60cm width.Prefered makes are Fetaherlite,Transteeel and wipro.	1	no
14	Split Table with wheel mounted made up of 18 mm top treated rubber over all size 1000mm (L)x750(W)x 800 mm (H) with interlocking arrangement	8	each
15	Running table made up of 18 mm treated rubber wood top of over all size - 3500 mm x700 mm x750 (H)mm with Bottom CPU tray	1	each
16	Providing and fixing Table with 18 mm mirror polished granite top edge moulded laid over C frame of size 60 x 40 mm including and horizon-tal frame 60x40 mm tying with C frame backing tray made of GI sheet for supporting storage unit all made of 20 gauge electro galvanized sheet with epoxy polyester powder coating 80-100 micron as per drawing attached /over storage unit for M.sc. Lab including the electrical connections.Providing and fixing steel Storage Unit manufac-tured with 20 gauge electro galvanized sheet with epoxy polyester powder coating with top drawer and bottom cupboard with door and locking ar-rangement. Bottom cupboard will have one hori-zontal partition. Size:600 (W) x 600 (H) x 450 (D) mm		
16.11	Size:3000 mm x 900 mm x 900 mm Height	1	each
17	Storage made up of 18 mm thick marine plywood with veneering as per the site condition	60	sqm
18	Height adjustable Laboratory Stool :-Shape of stool - Square. Supported by 4 Legged Frame with Cross Supports On Top And Bottom. Frame Materials – made from 20 swg cold rolled square/ round pipe with powder coating. Top material – 18mm rubber wood.		
18.1	Size-40cmx40cmx65cmH	20	nos
19	Office chair (Featherlight/Transteeel/Wipro) – Medium Back Chair- Weight: 18 kg Seat: Depth- 49 cm, Width- 49.5 cm Dimensions: Width- 63.5 cm Depth- 57 cm Minimum Height- 86 cm Maximum Height- 105.5 cm Minimum Seat Height- 46.5 cm Maximum Seat Height- 57 cm Width (Arm to Arm)- 46 cm Arm Rest Height- 66 cm	3	nos

			
20	<p>Counter Table- Made up 18 mm treated rubber wood top with appropriate support mechanism. Agency should provide the as-built drawing before execution of work and get it approved by the Engineer-in-Charge before executing the work. Colour and shade as per the direction by Engineer-in-Charge.</p>	5	m
21	<p>L shaped table made up of marine plywood with veneering as illustrated in the drawing.</p>	1	LS
22	<p>Chair for counter table - Agency should provide the as-built drawing before execution of work and get it approved by the Engineer-in-Charge before executing the work. Colour and shade as per the direction by Engineer-in-Charge.</p>	6	Nos

ANNEXURE II

PRE-QUALIFICATION CRITERIA FOR BIDDERS

(To Be Submitted Only Through Online Mode in Appropriate Format)

Only those bidders fulfilling the following criteria should respond to the tender.

1. The bidder should be a company registered under the Companies Act, 1956/2013 OR a Limited Liability Partnership / a registered partnership firm OR a sole- proprietorship entity. Appropriate Registration incorporation certificate must be submitted.
2. Have an Annual Turnover **of Rs. 4.8 Lakh** during each of the last three financial years (2018-19, 2019-20, 2020-21). The bidder shall enclose the audited statements of the indicated financial years, which should have been certified by a Chartered Accountant or a Competent Authority.
3. Bidders, who are bidding for this shall have satisfactorily completed the works as mentioned below during the last three years ending previous day of last date of submission of bid:

**THREE similar completed works each costing not less than the amount equal to
Rs. 6.4 lakh**

(OR)

**TWO similar completed works each costing not less than the amount equal to
Rs. 8 lakh**

(OR)

**ONE similar completed works each costing not less than the amount equal to
Rs. 12.8 lakh**

to Universities/Centrally Funded Technical Institutes /reputed organizations in India. Copies of certificate of successful implementation must be uploaded. Copies of financial statements or evidence of turnover must be uploaded. Similar work” for this clause means Furnishing of Labs with carpentry furniture & fittings, steel work furnishing & fittings etc .

The bidder’s must quote their prices as per detailed specifications and drawings given in the Annexure – I

4. The Institute reserves the right to ask for photographs/CAD drawings/ design proofs to satisfy themselves of the proven capabilities of the work being offered. The bidder must provide these details within two working days of receiving such a request via email. Decisions regarding technical compliance of the bidder can be taken based on this information.

5. Compliance sheet for the technical specification must be attached along with the technical bid. Vendors must fill the compliance sheet and mention page number or reference number. Unfilled / partially filled sheets lead to disqualification.
6. Digitally signed Tender Document shall be uploaded in Cover 1.

ANNEXURE-III

TECHNO-COMMERCIAL BID

(To Be Submitted Only Through Online Mode in Appropriate Format)

A. Company Profile
Name of the Company/Bidder
Postal Address of the Registered Office
Telephone (Landline) No.
Mobile No.
Email Address (Official)
Name of the CEO/Director
Name(s) of the Partners (if applicable)
Registration No. (Upload supporting document)
Type of Firm (Proprietary/Partnership/Private Ltd./Private/MNC/Cooperative/Govt. Undertaking/Any Other)
Email Address and Contact Number(s) of CEO/Director
Year of Establishment
No. of Years of Operations in India
Location of Offices in India / Abroad
PAN (Upload supporting document)
GST (Upload supporting document)
B. Alliances for the Purpose of this Bid, if applicable (Upload supporting document)
Details of Alliance(s)
Type of Alliance(s)
List of Clients and Testimonials (Please upload necessary supporting document)
C. Financial Background of the Firm - Annual Turnover (Upload supporting document signed by Competent Authority)
2018-19
2019-20
2020-21
D. Others
Has the firm ever been debarred/blacklisted by any Govt. Organization/Dept.? If „yes“ the details thereof. Upload (supporting document)
Note: Supporting Documents, wherever asked for, shall be uploaded along with the Bid, without which the Bid shall be rejected outright.

ANNEXURE-IV

SCHEDULE OF QUANTITY

(To Be Submitted Only Through Online Mode in Appropriate Format)

APPROPRIATE FORMAT UPLOADED IN COVER II

ANNEXURE-V
COMPLIANCE STATEMENT
(Part of Technical Bid)

(To Be Submitted Only Through Online Mode in Appropriate Format)

The vendor shall,

1. Prepare, sign, and upload the Compliance Statement of the specification of format given below along with the technical bid in the company letter head.
2. Submit separate Compliance Statement of specification sheets for each item.
3. Ensure that the component number and heading in the Technical Specifications is clearly mentioned in the document. If there are any deviations from the specifications mentioned by IIT Palakkad, the vendor should clearly indicate the deviations and give reasons for the deviation with proper justification.
4. Provide the technical leaflet any relevant document for all the quoted items to IIT Palakkad. The information provided in the compliance statement without supporting documents will not be considered for the evaluation of the technical bid and will be treated as non-compliance and may lead to the disqualification of the technical bid.
5. Clearly respond to every requirement given in the technical specifications. Lack of clarity may be considered as lack of information and may subsequently lead to disqualification of the technical bid.

Format of Compliance Statement:

Item No.	IIT Palakkad's technical specification of components as given in Annexure-I	Specifications by the vendor	Vendor's specification complies with IIT Palakkad's technical specification? (YES/ NO)	Deviation, if any, to be indicated in unambiguous terms	Page no. of relevant specification for the quoted model in the technical manual/ leaflet

ANNEXURE-VI

FORMAT OF PERFORMANCE SECURITY

1. This deed of Guarantee made this day of _____ between Bank of _____ (hereinafter called the "Bank") of the one part, and Indian Institute of Technology Palakkad (hereinafter called "the Contractor") of the other part.
2. Whereas the Contractor has awarded the contract for _____ and Validation of _____ (name of the work) (hereinafter called the contract) to _____ (hereinafter called the Contractor); (Name of the Contractor)
3. AND WHEREAS the Contractor is bound by the said Contract to submit to the Contractor a Performance Security for a total amount of Rs. _____ (Amount in figures and words).
4. Now, I/we the undersigned, being fully authorized to sign and to incur obligations for and on behalf of and in the name of _____ (Full name of Bank), hereby declare that the said Bank will guarantee the Contractor the full amount of Rs. __ (Amount in figures and words) as stated above.
5. After the Contractor has signed the aforementioned Contract with the Purchaser, the Bank is engaged to pay the Purchaser, any amount up to and inclusive of the aforementioned full amount upon written order from the Purchaser to indemnify the Contractor for any liability of damage resulting from any defects or shortcomings of the Contractor under the Contract mentioned above, whether these defects or shortcomings are actual or estimated. The Bank will deliver the money required by the Contractor immediately on demand without delay without reference to the Contractor and without the necessity of a previous notice or of judicial or administrative procedures and without it being necessary to prove to the Bank the liability or damages resulting from any defects or shortcomings of the Contractor. The Bank shall pay to the Purchaser any money so demanded notwithstanding any dispute/disputes raised by the Contractor in any suit or proceedings pending before any Court relating thereto and the liability under this guarantee shall be absolute and unequivocal.
6. **This Guarantee is valid for a period of thirty-six months from the date of signing. (Initial period for which this Guarantee will be valid must be for at least thirty (30) days longer than the anticipated expiry date of warranty period).**
7. At any time during the period in which this Guarantee is still valid, if the Purchaser agrees to grant a time extension to the Contractor or if the Contractor fails to complete the work within the time of completion as stated in the Contract, or fails to discharge himself of the liability or damages as stated under Para 5 above, the Bank shall extend this Guarantee under the same conditions for the required time on demand by the Purchaser and at the cost of the Contractor.
8. The Guarantee herein before contained shall not be affected by any change in the Constitution

of the Bank or of the Contractor

9. The neglect or forbearance of the Purchaser in enforcement of payment of any moneys, the payment whereof is intended to be hereby secured or the giving of time by the Purchaser for the payment hereof shall in no way relieve the bank of its liability under this deed.
10. The expressions "the Purchaser", "the Bank" and "the Contractor" herein before used shall include their respective successors and assigns.

In witness whereof I/We of the bank have signed and sealed this guarantee on the _____ da
y of _____ (Month & Year) being herewith duly authorized. For and on behalf of
the _____ Bank.

Signature of Authority

Name of the Official:

Designation:

Stamp/Seal of the Bank:

Signed, sealed, and delivered for and on behalf of the Bank by the above named _____ in the presence of:

Witness 1

Signature

Name

Address

Witness 2

Signature

Name

Address

ANNEXURE- VII

DECLARATION

We hereby undertake that there are _____ pages, serially numbered, in the submitted tender including the supporting documents. (Please serial number all the pages including blank pages, if any). We have submitted our principal's exclusive authorization letter which is specific for this tender No. _____ dated _____.

ANNEXURE-VIII

FALL CLAUSE NOTICE CERTIFICATE

(To Be Submitted Only Through Online Mode in Appropriate Format)

This is to certify that we have offered the maximum possible discount to you in our Quotation No. _____ dated _____ **(Please do not reveal the prices here, which will lead to outright rejection of your bid)**. The prices charged for the Stores supplied under tender should under no event be higher than lowest prices at which the party sells the items of identical description to any other Govt. organization/PSU"s/Central Govt, /State Govt. Autonomous bodies/Central/state Universities/Central/State Educational Institutions, failing which the "FALL CLAUSE" will be applicable. The institute will look into a reasonable past period to ensure this. In case, if the price charged by our firm is found to be more, **IIT Palakkad** will have the right to recover the excess charged amount from the subsequent/unpaid bill of the Contractor.

Note:

This letter of authority should be on the letterhead of the quoting firm and should be signed by a Competent Authority and having the power of attorney.

BID SECURITY DECLARATION FORM

Date:

Name of Work/Item Description:

Tender No. and Date:

To (insert complete name and address of the purchase)

I/We. The undersigned, declare that:

I/We understand that, according to your conditions, bids must be supported by a Bid Securing Declaration.

I/We accept that We may be disqualified from bidding for any contract with you for a period of one year from the date of notification if I am /We are in a breach of any obligation under the bid conditions, because I/We

- a) Have withdrawn/modified/amended, impairs or derogates from the tender, my/our Bid during the period of bid validity specified in the form of Bid; or
- b) Having been notified of the acceptance of our Bid by the purchaser during the period of bid validity (i) fail or refuse to execute the contract, if required, or (ii) fail or refuse to furnish the Performance Security, in accordance with the Instructions to Bidders.

I/We understand this Bid Securing Declaration shall cease to be valid if I am/we are not the successful Bidder, upon the earlier of the receipt of your notification of the name of the successful Bidder; or i.(ii) thirty days after the expiration of the validity of my/our Bid.

Signed: (insert signature of person whose name and capacity are shown) in the capacity of (insert legal capacity of person signing the Bid Securing Declaration)
Name: (insert complete name of person signing the Bid Securing Declaration)

Duly authorized to sign the bid for an on behalf of (insert complete name of Bidder)

Dated on _____ day of _____ (insert date of signing)

Corporate Seal (where appropriate)

(Note: In case of a Joint Venture, the Bid Securing Declaration must be in the name of all partners to the Joint Venture that submits the bid)

Note: This letter should be on the letterhead of the quoting firm and should be signed by a Competent

Authority. Non-submission of this will lead to DISQUALIFICATION of bids.

ANNEXURE - X

FORMAT FOR SELF-CERTIFICATION UNDER PREFERENCE TO MAKE IN INDIA
(TO BE SUBMITTED ONLY THROUGH ONLINE MODE IN APPROPRIATE FORMAT)

Format for Affidavit of Self-Certification regarding Minimum Local Content in line with “Make in India” Policy vide GoI Order no. P-45021/2/2017-PP (B.E.-II) dated 15.06.2017 (subsequently revised vide orders dated 28.05.2018, 29.05.2019 and 04.06.2020)

Date: _____
I/We _____ S/o, D/o, W/o, _____
Resident of _____

Hereby solemnly affirm and declare as under:

That I will agree to abide by the terms and conditions of the Public Procurement (Preference to Make in India) Order, 2017 (hereinafter PPP-MII order) of Government of India issued vide Notification No:P-45021/2/2017 -BE-II dated 15/06/2017, its revision dated 28/05/2018 and any subsequent modifications/Amendments, if any and

That the local content for all inputs which constitute the said goods/services/works has been verified by me and I am responsible for the correctness of the claims made therein.

Tick (✓) and Fill the Appropriate Category	
<input type="checkbox"/>	I/We _____ [name of the manufacturer] hereby confirm in respect of quoted items(s) that Local Content is equal to or more than 50% and come under “ Class-I Local Supplier ” category.
<input type="checkbox"/>	I/We _____ [name of the manufacturer] hereby confirm in respect of quoted items(s) that Local Content is more than 20% but less than 50% and come under “ Class-II Local Supplier ” category.
<input type="checkbox"/>	I/We _____ [name of the manufacturer] hereby confirm in respect of quoted items(s) that Local Content is less than or equal to 20% come under “ Non-Local Supplier ” category.

For and on behalf of..... (Name of firm/entity)

Authorized signatory (To be duly authorized by the Board of Directors)
<Insert Name, Designation and Contact No.>

[Note: In case of procurement for a value in excess of Rs. 10 Crores, the bidders shall provide this certificate from statutory auditor or cost auditor of the company (in the case of companies) or from a practicing cost accountant or practicing chartered accountant (in respect of suppliers other than companies) giving the percentage of local content.]